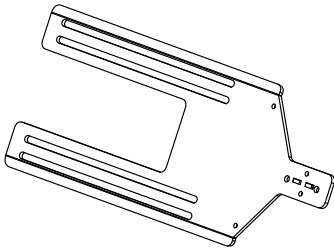


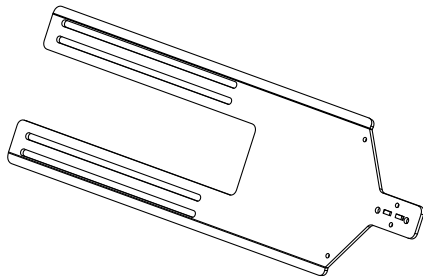
# Installation Guide

## SPK511 + SPK512

### Kiosk Straight Brackets



SPK511



SPK512





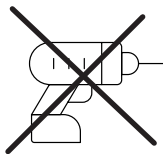
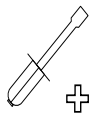
## CAUTION

This product is intended for indoor use only.

If these installation instructions are not followed correctly, it could lead to product failure and potential personal injury.

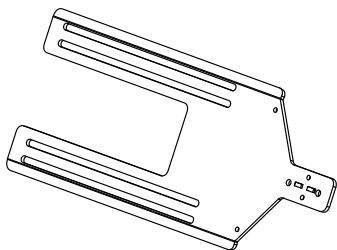
Ergonomic Solutions/SpacePole cannot be held responsible for any failure or injury, if the installation instructions are not followed correctly.

## Tool list

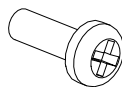


## Box content

SPK511



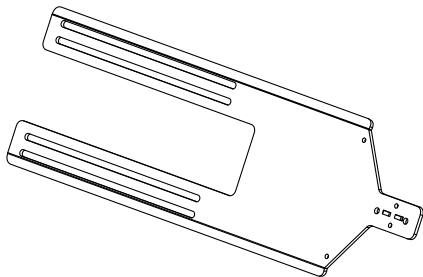
x1



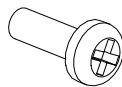
4x (M4x12)

OR

SPK512



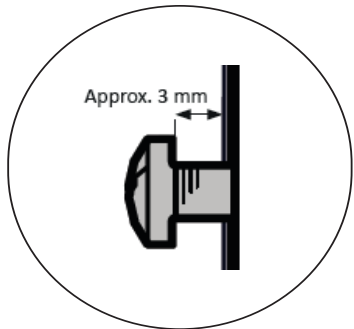
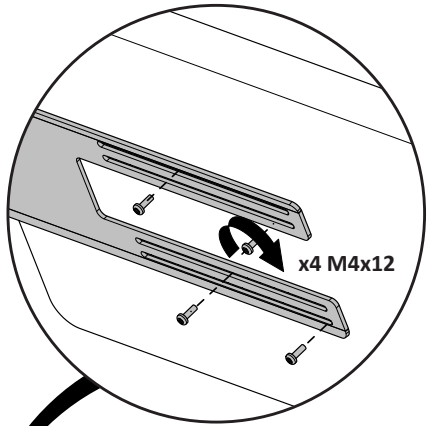
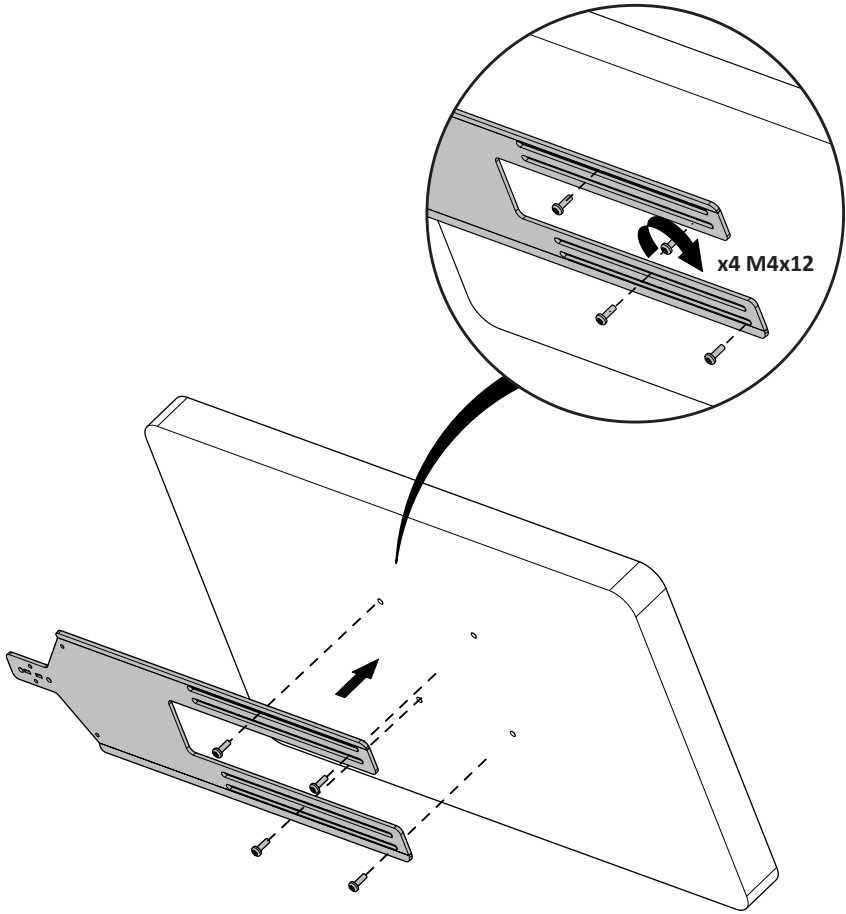
x1



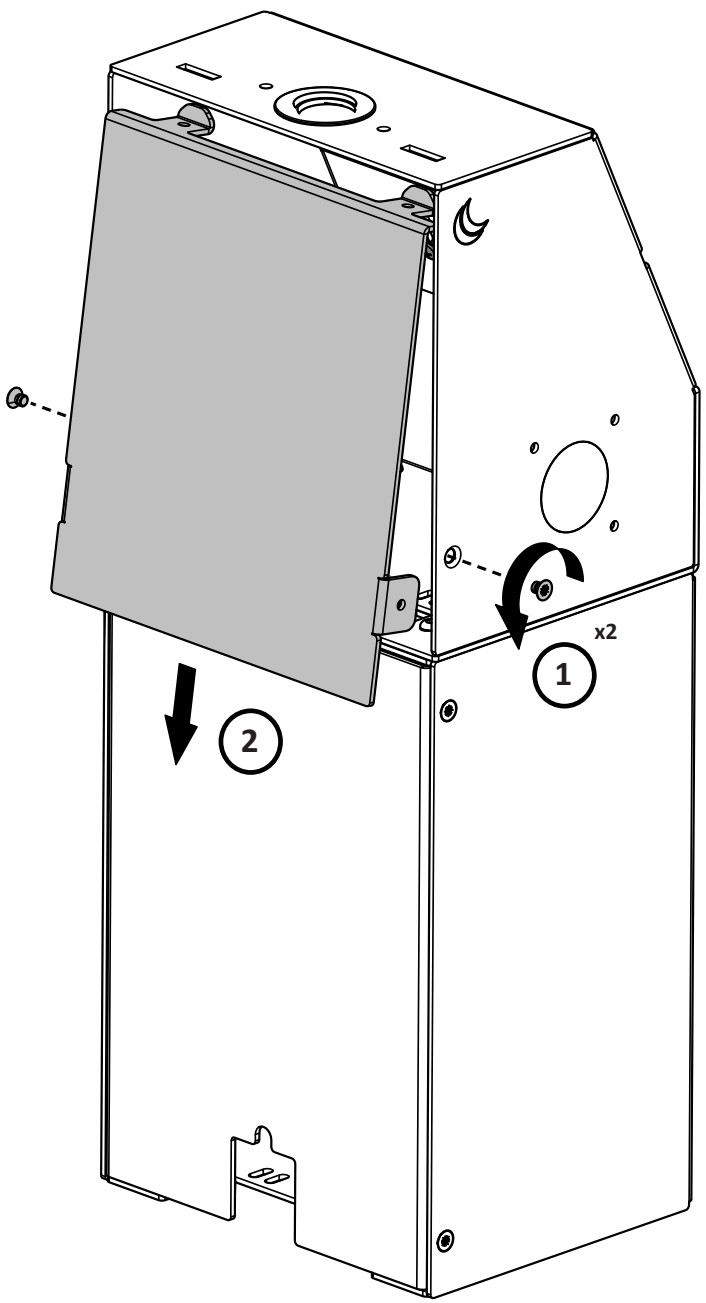
4x (M4x12)

1

Mount Straight bracket onto screen

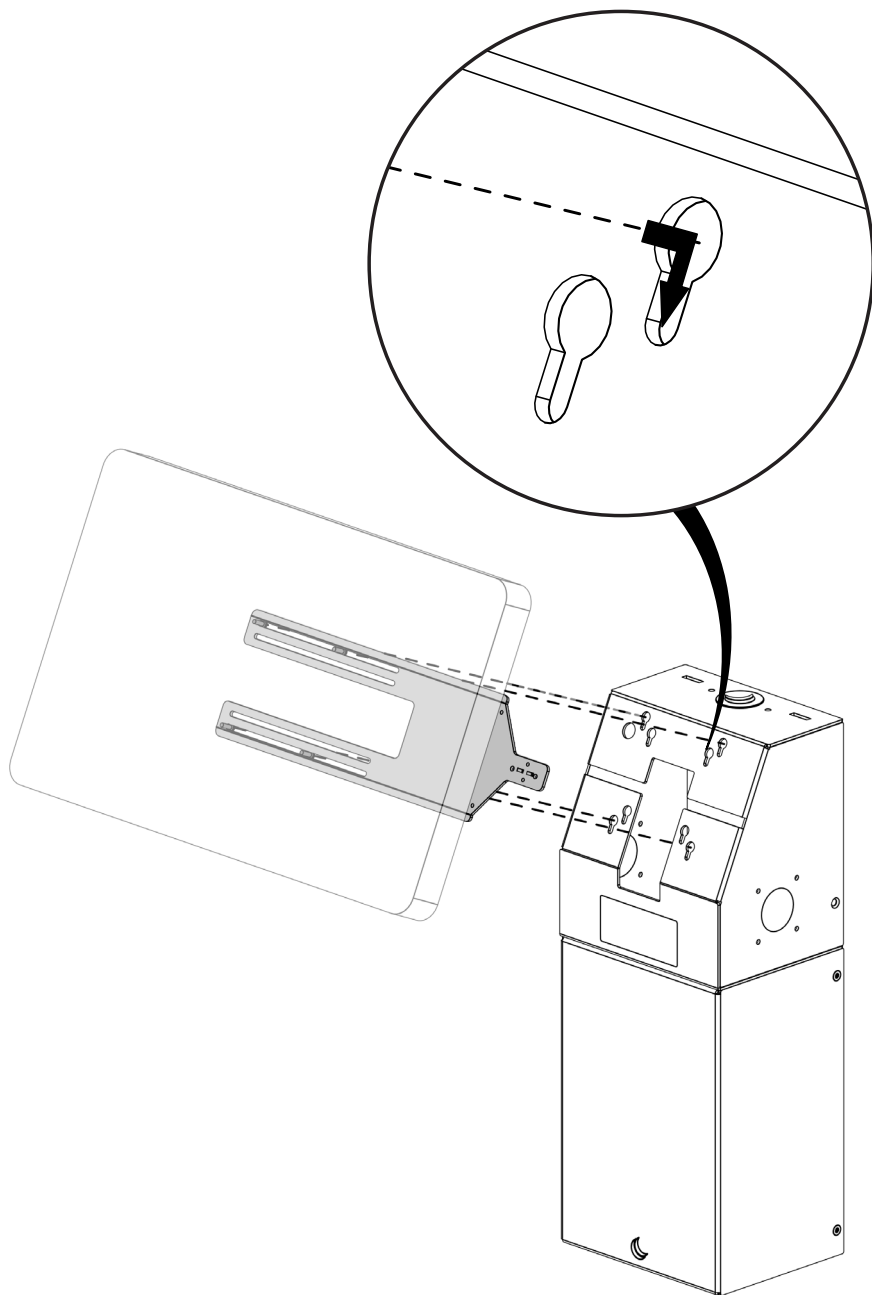


2 Remove back

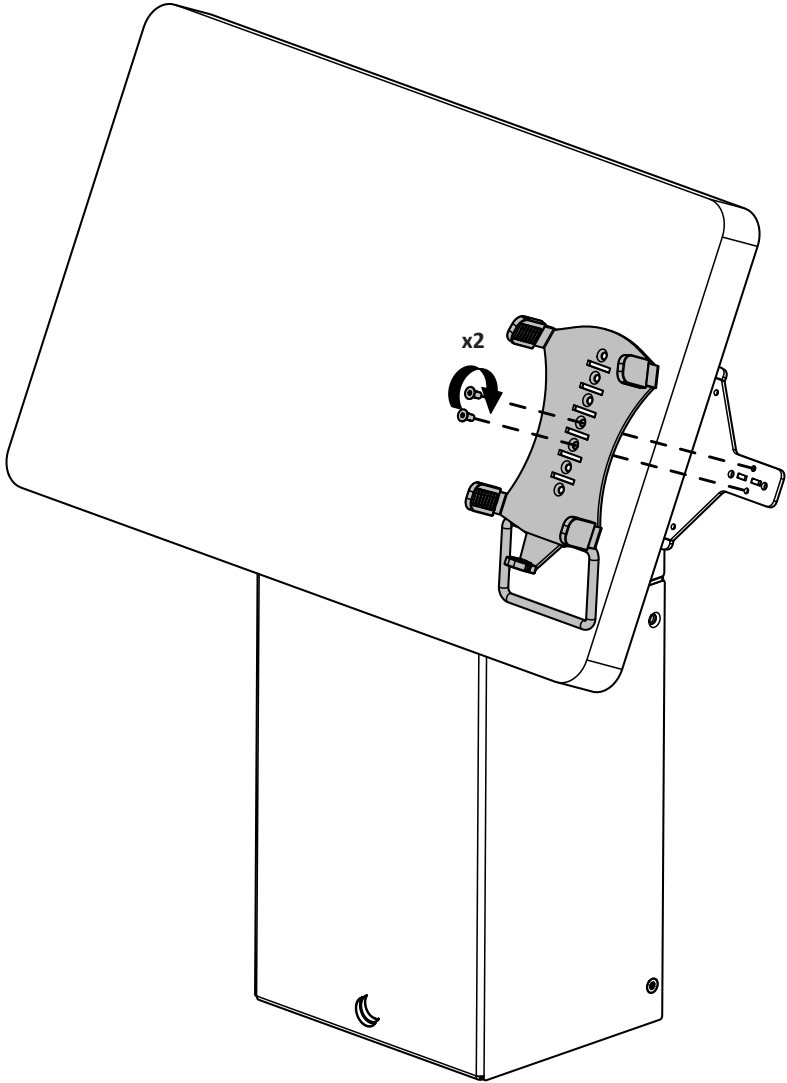


3

Mount screen

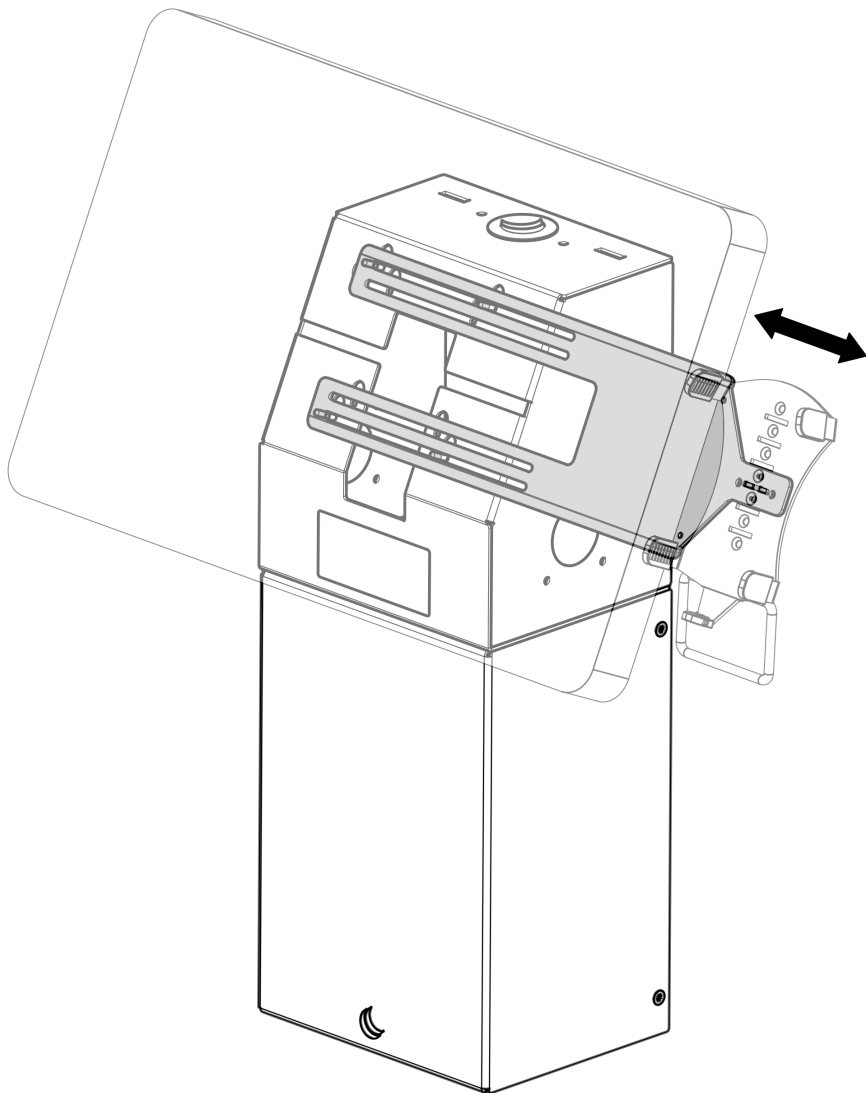


4 Mount payment device



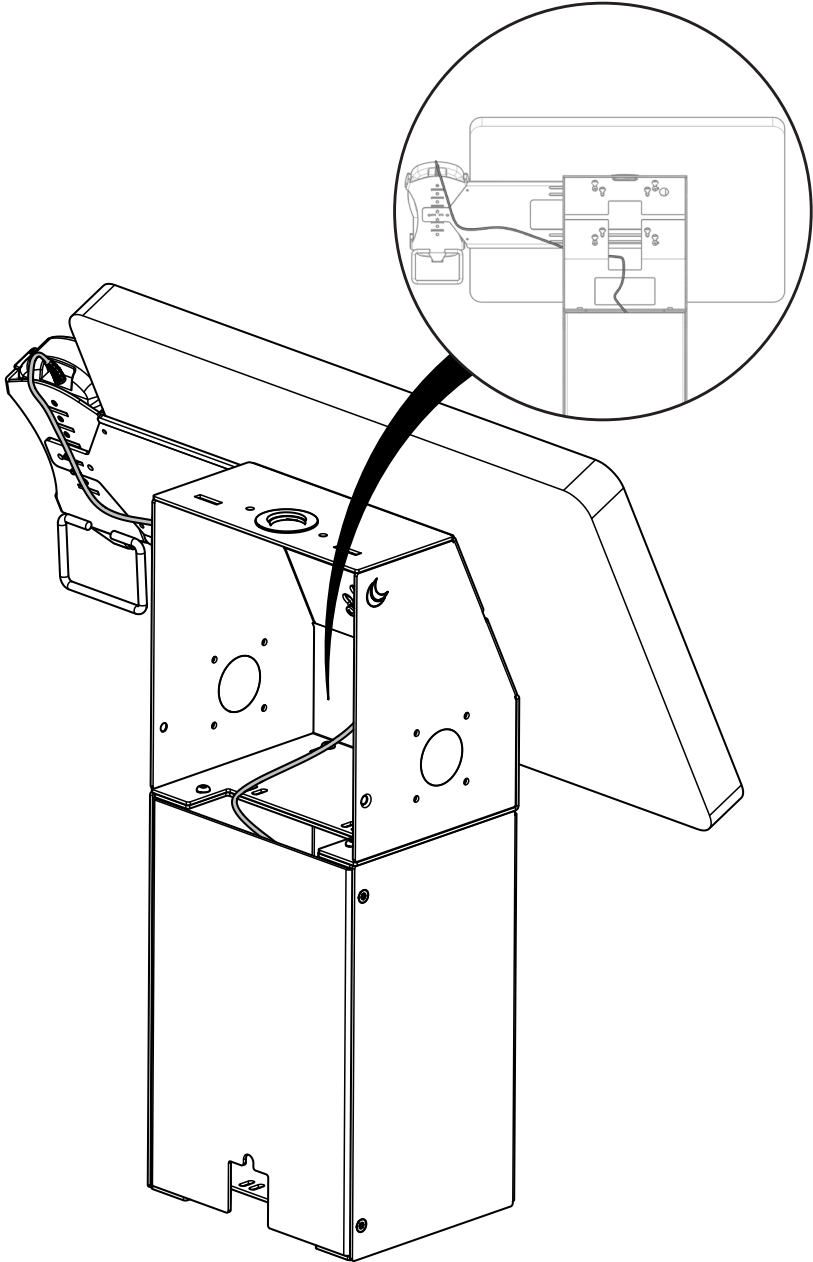
5

Align payment device with screen

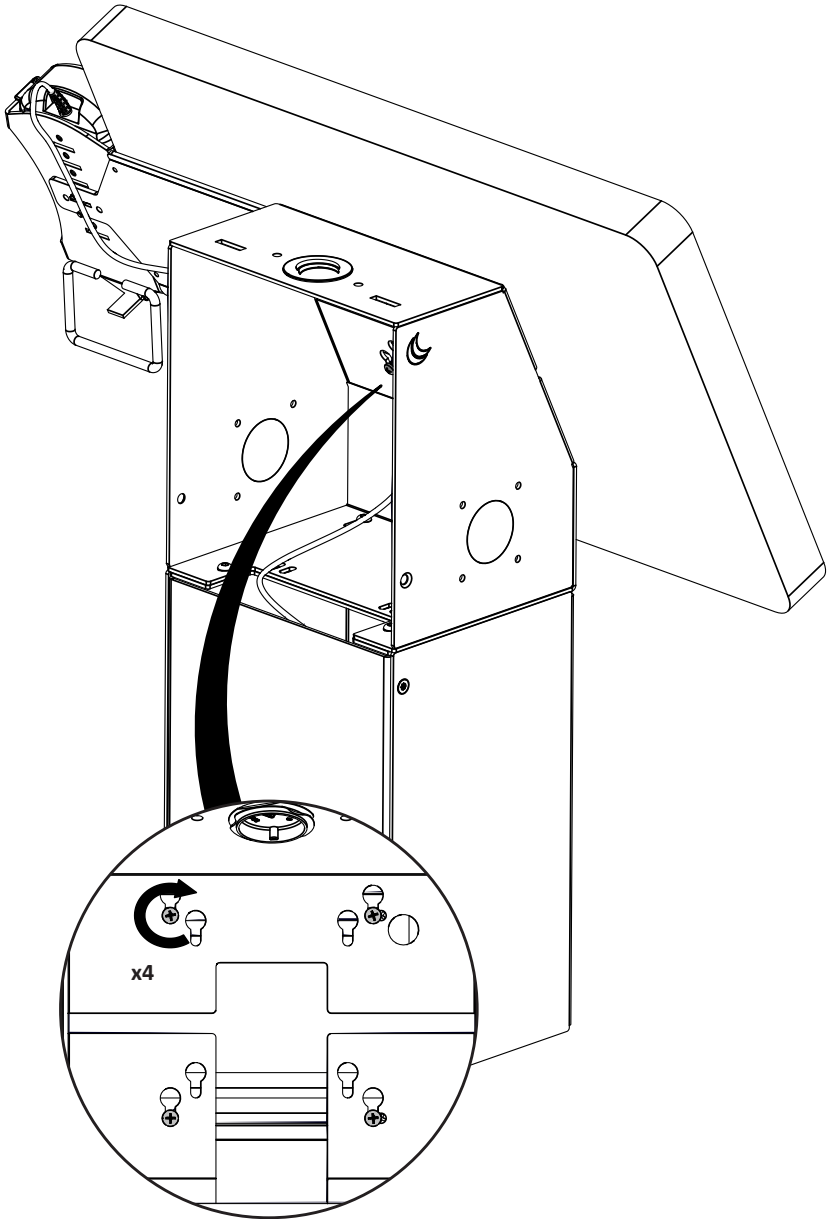




6 Cable management

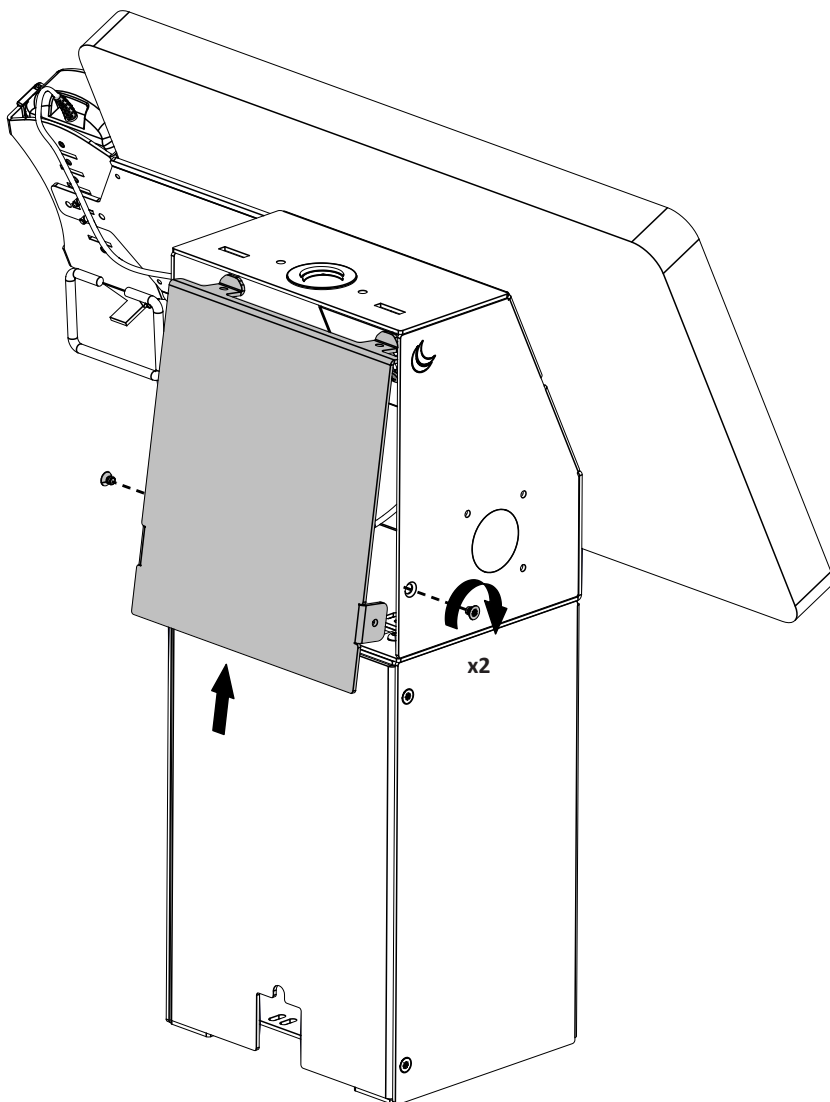


7 Tighten bracket



8

Mount back



Need help? Contact us



[ergonomic.solutions/about/contact-us](http://ergonomic.solutions/about/contact-us)

[spacepole.com/about/contact-us](http://spacepole.com/about/contact-us)